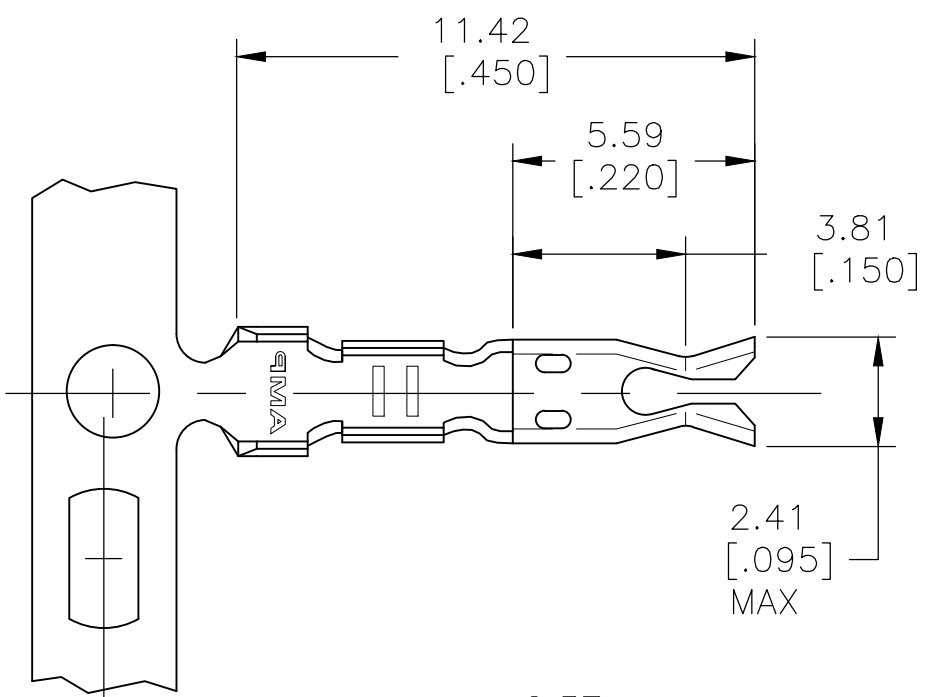
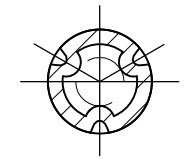


THIS DRAWING IS UNPUBLISHED. RELEASED FOR PUBLICATION
 © COPYRIGHT - By - ALL RIGHTS RESERVED.

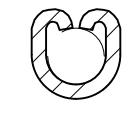
REVISIONS				
P	LTR	DESCRIPTION	DATE	APVD
	AZ2	REVISED PER ECR-15-016346	09MAY2016	NK LP



OPTIONAL DESIGNS TO STABILIZE PIN

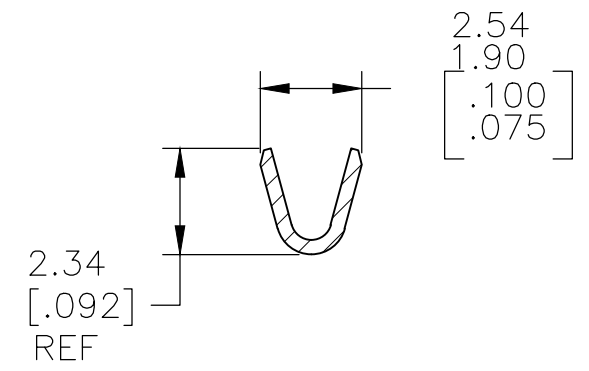
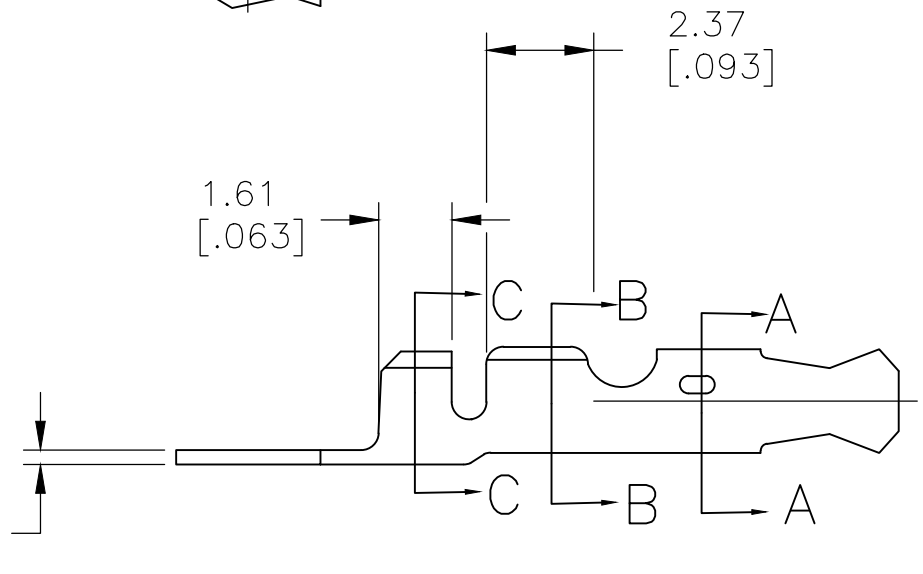


DIMPLES

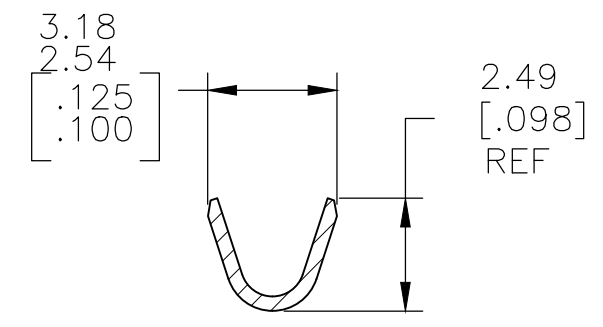


"F" CRIMP

SECTION A-A



SECTION B-B



SECTION C-C

- 1 CONTINUOUS STRIP ON REELS ON 7.37[.290] CENTERS
- 2 WIRE SIZE IS 0.2 - 0.5 mm² [#24 - #20 AWG]
- 3 INSULATION RANGE IS 1.22 - 1.80 [.048 - .071] DIA
- 4 CONTACT ACCEPTS 1.02±.03[.040±.001] DIA PIN

	REVERSE REEL	H04 PHOS BRONZE - SILVER PL	42428-8
OBSOLETE	REVERSE REEL	H04 PHOS BRONZE - UNPLATED	42428-6
	REVERSE REEL	H04 PHOS BRONZE - TIN PL	42428-5
OBSOLETE	--	H04 PHOS BRONZE - TIN PL	42428-2
	REMARKS	MATERIAL & FINISH	PART NO

THIS DRAWING IS A CONTROLLED DOCUMENT.		DWN jr_ruth 18DEC07	STE TE Connectivity	
DIMENSIONS: mm [INCHES]		CHK DON DECKER 18DEC07		
TOLERANCES UNLESS OTHERWISE SPECIFIED:		APVD DON DECKER 18DEC07	NAME	
0 PLC ± -		PRODUCT SPEC	RECEPTACLE, PIN, 1.02[.040] DIA	
1 PLC ± -		APPLICATION SPEC	SIZE CAGE CODE DRAWING NO RESTRICTED TO	
2 PLC ± 0.38[.015]		114-2083	A3 00779 C-42428	
3 PLC ± -		WEIGHT	SCALE 6:1 SHEET 1 OF 1 REV AZ2	
4 PLC ± -		CUSTOMER DRAWING		
ANGLES ± 5°				
FINISH				
SEE TABLE				